

## Features:

The **CAMCO E-Series Heavy Duty Index Drive** is ideal for heavy-duty rotary dial applications with features including:

- Large output mounting surface supported by a 4-point contact bearing providing superior thrust and moment capacity
- Large center thru-hole to accommodate stationary center post, electrical wiring and air or hydraulic lines
- Complete motorized drive package with reducer and AC inverter drive to suit most applications
- Precision cam with preloaded cam followers for maximum accuracy
- Durable welded steel housing
- Preloaded “center rib” design for smooth acceleration and deceleration with precision positioning

## Table of Contents

How to Order .....	68
750E .....	70
950E .....	72
1150E .....	74
1550E .....	76

Dimensions and technical information are subject to change without notice.

E Series How to Order

**Base Model** Description

- 750E** w/ KH87 reducer & 12.5 hp AC motor (220/440V)
- 950E** w/ KH87 reducer & 15 hp AC motor (220/440V)
- 1150E** w/ KH107 reducer & 25 hp AC motor (220/440V)
- 1550E** w/ KH127 reducer & 30 hp AC motor (220/440V)

**Control** (only available with these models)

- 1** 15 hp 240V 750E & 950E only
- 2** 15 hp 440V 750E & 950E only
- 3** 25 hp 240V 1150E only
- 4** 25 hp 440V 1150E only
- 5** 30 hp 240V 1550E only
- 6** 30 hp 440V 1550E only



Motion	Stops	Index Period
<b>A</b>	2	330
<b>B</b>	3	330
<b>C</b>	4	330
<b>D</b>	6	330
<b>E</b>	8	330
<b>F</b>	12	330
<b>G</b>	16	330

**Index Mounting**  
(See Figure 1)

- 1**
- 2**
- 3**
- 4**
- 5**
- 6**

**Reducer Ratio**

	750E	950E	1150E	1550E
<b>A</b>	14.50	29.00	40.19	
<b>B</b>	19.95	42.33	54.07	
<b>C</b>	24.92	49.90	70.95	
<b>D</b>	31.39	52.17	81.98	
<b>E</b>	44.02	66.52	89.89	
<b>F</b>	49.16	73.30	110.18	
<b>G</b>	63.00	82.61	122.98	

**Reducer Mounting**  
(See Figure 3)

- A**

**Signal Switch**

- M** Mechanical
- P** Proximity

**Example: MS or PS**

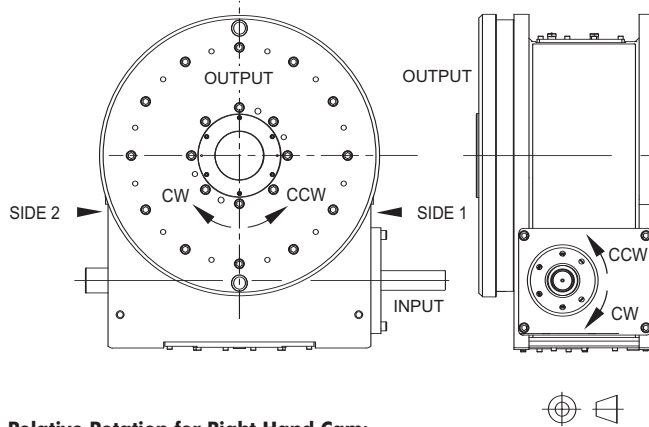
Note about signal switch options:  
 a) Mechanical is a single switch with cam.  
 b) Proximity option is a mounting bracket for 8 or 12 mm proximity switch. A proximity switch will not be supplied. Cam supplied as target.

**Signal Switch Side**  
(See Figure 2)

- S** Shaft

Other Motions (stops and index periods) available. Contact your DE-STA-CO sales representative for more information.

Input Shaft Configuration/Rotations (Figure 1)



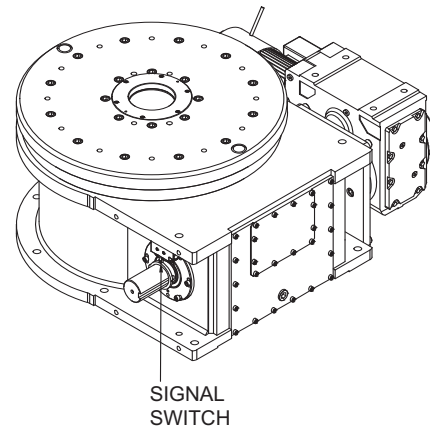
**Relative Rotation for Right Hand Cam:**

CW Input Side 1 CCW Output

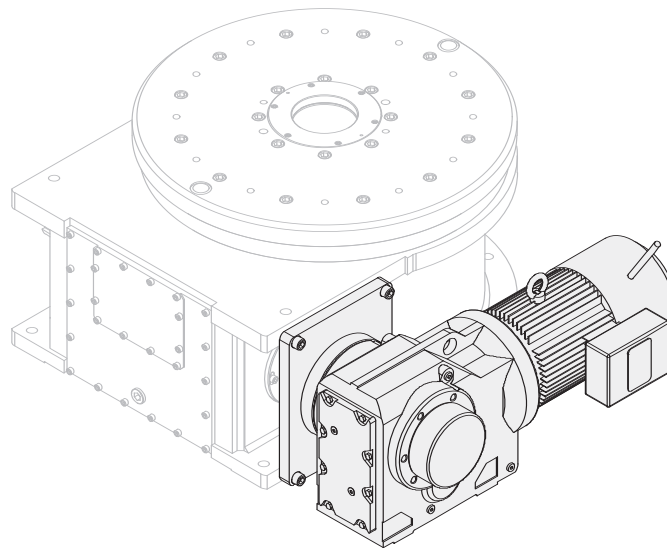
CCW Input Side 2 CW Output

NOTE: Input can be driven in either direction

Signal Switch Mounting Position (Figure 2)

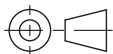
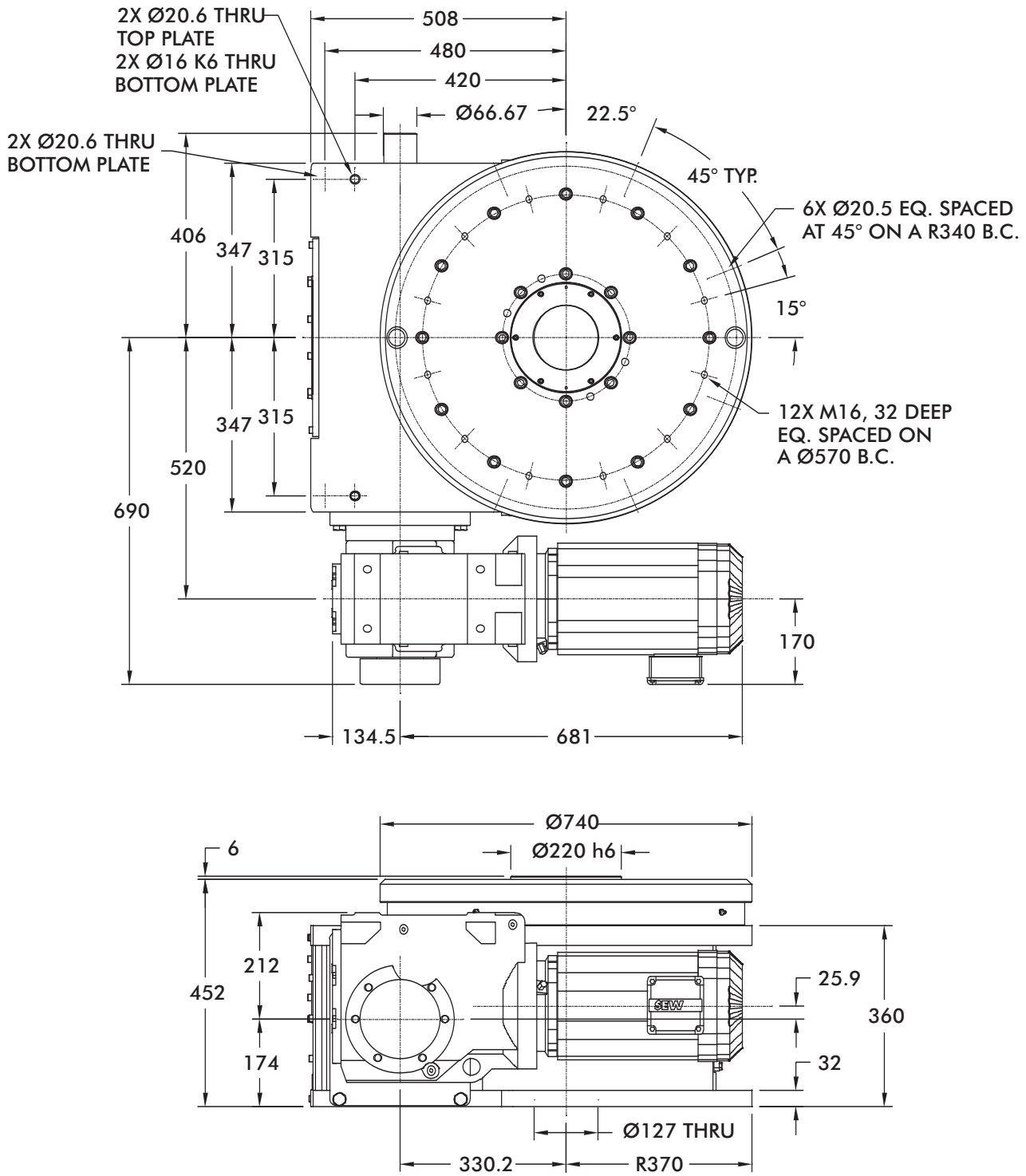


Gear Reducer Mounting Position (Figure 3)



Dimensions and technical information are subject to change without notice.

750E Standard Dimensions



Unless otherwise noted, all dimensions are in mm.

Dimensions and technical information are subject to change without notice.



750E Product Overview, Technical Information, Optional Accessories

Maximum Inertia x 1,000 [lb-in <sup>2</sup> ] for standard package							
Stops	Motion Time [seconds]						
	0.44	0.59	0.76	0.96	1.35	1.50	1.93
2	0	27	105	254	751	987	1,647
3	14	98	257	562	1,577	2,058	3,407
4	67	231	542	1,140	3,128	4,072	6,714
6	191	542	1,209	2,491	6,756	8,781	14,447
8	372	931	1,677	2,841	5,587	6,968	11,444
12	886	2,291	4,840	8,195	16,116	20,100	33,010
16	1,351	2,717	4,837	8,254	16,263	20,283	33,311
Reducer Ratio							
	14.45	19.45	24.92	31.39	44.02	49.16	63.00

Features

- KH87 Gear Reducer with Brake-motor
- Double Extended Camshaft (Input shaft)
- Center Thru Hole (127 mm)
- Cycle Cam and Limit Switch
- Right Hand Cam

Optional Accessories

- Left Hand Cam
- Relief in Dwell for Shot-Pin applications
- Dual Cam & limit Switch
- KH97 Gear Reducer with Brake-motor
- Stationary Center Post
- Visual Disk Dwell Indicator

Output Load Capacity (loads carried during index):

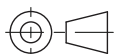
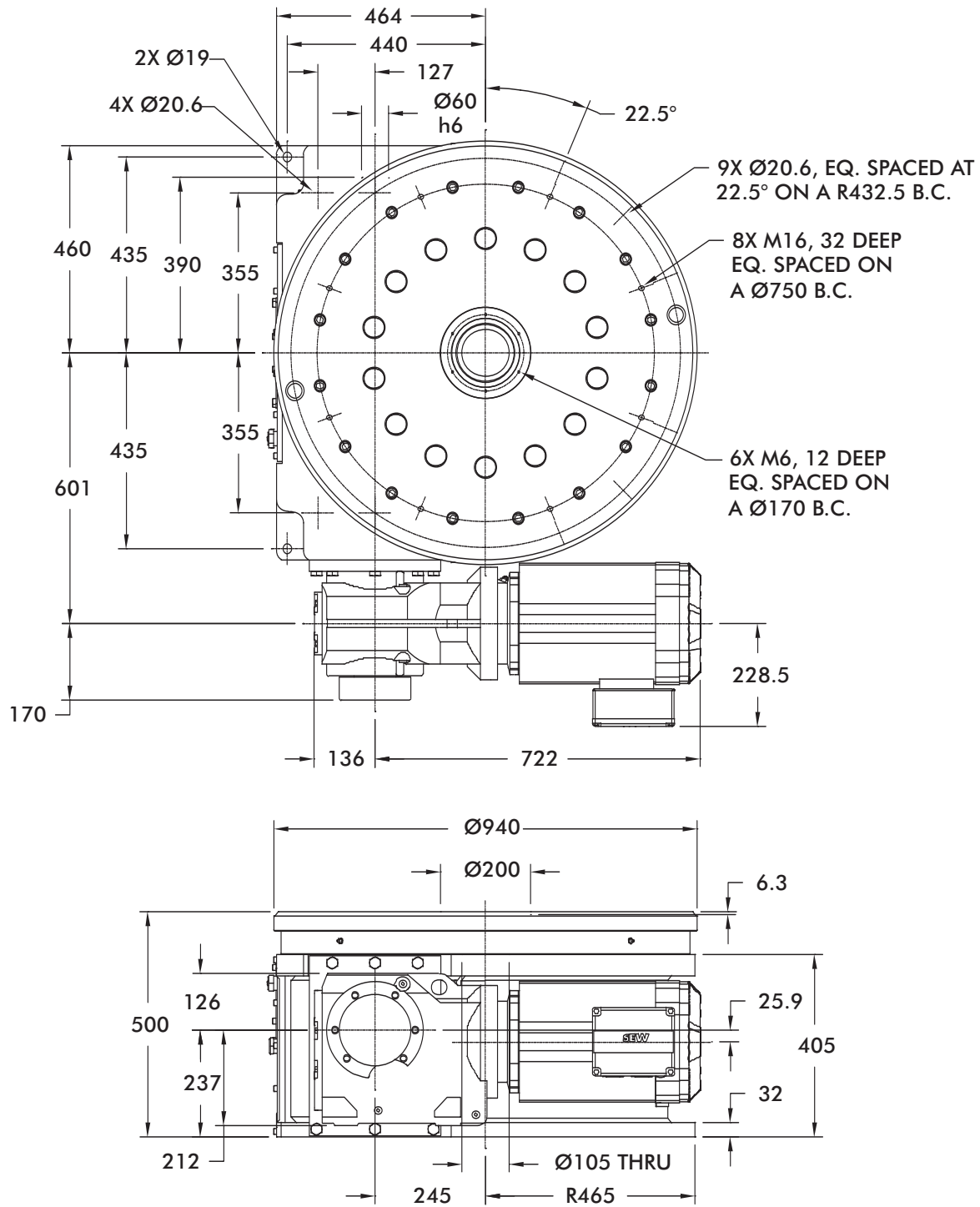
- Radial 29,200 lbs
- Thrust/Axial 42,000 lbs
- Moment 414,500 in-lbs

Typical Application

- Dial Diameter:** 55 in. to 110 in.
- Accuracy** ±27 arcsec / ±.002" at 15" Radius
- Repeatability** ±7 arcsec / ±.0005" at 15" Radius

Dimensions and technical information are subject to change without notice.

950E Standard Dimensions



Unless otherwise noted, all dimensions are in mm.

Dimensions and technical information are subject to change without notice.



## 950E Product Overview, Technical Information, Optional Accessories

Maximum Inertia x 1,000 [lb-in <sup>2</sup> ] for standard package							
Stops	Motion Time [seconds]						
	0.44	0.59	0.76	0.96	1.35	1.50	1.93
2	0	0	61	224	619	833	1,433
3	0	59	250	619	1,507	1,989	3,337
4	16	205	564	1,252	2,911	3,810	6,329
6	187	634	1,479	3,102	7,013	9,135	15,073
8	412	1,169	2,603	5,287	11,478	14,315	23,511
12	1,025	2,729	5,956	10,793	23,621	30,484	53,172
16	1,290	2,647	4,753	8,147	17,305	21,582	35,445
Reducer Ratio							
	14.45	19.45	24.92	31.39	44.02	49.16	63.00

### Features

- KH87 Gear Reducer with Brake-motor
- Double Extended Camshaft (Input shaft)
- Center Thru Hole (105 mm)
- Cycle Cam and Limit Switch
- Right Hand Cam

### Optional Accessories

- Left Hand Cam
- Relief in Dwell for Shot-Pin applications
- Dual Cam & limit Switch
- KH97 Gear Reducer with Brake-motor
- Stationary Center Post
- Visual Disk Dwell Indicator

### Output Load Capacity (loads carried during index):

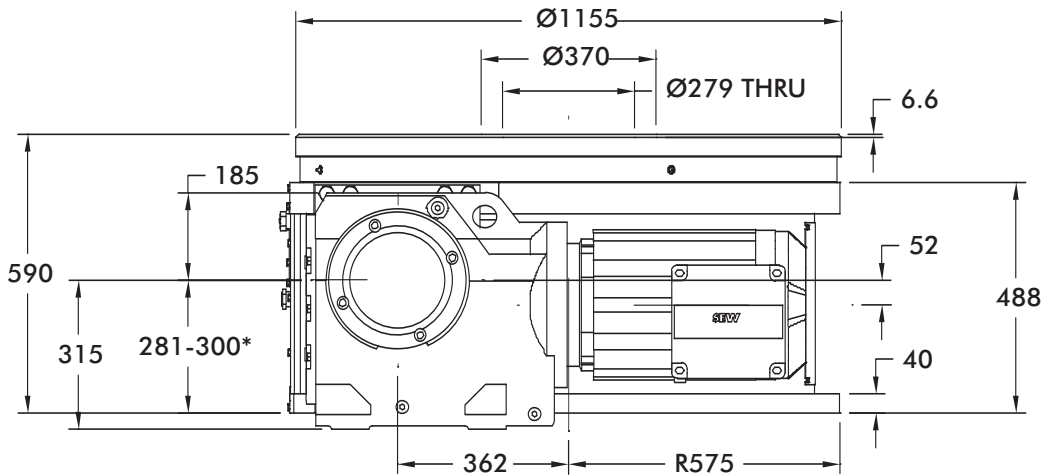
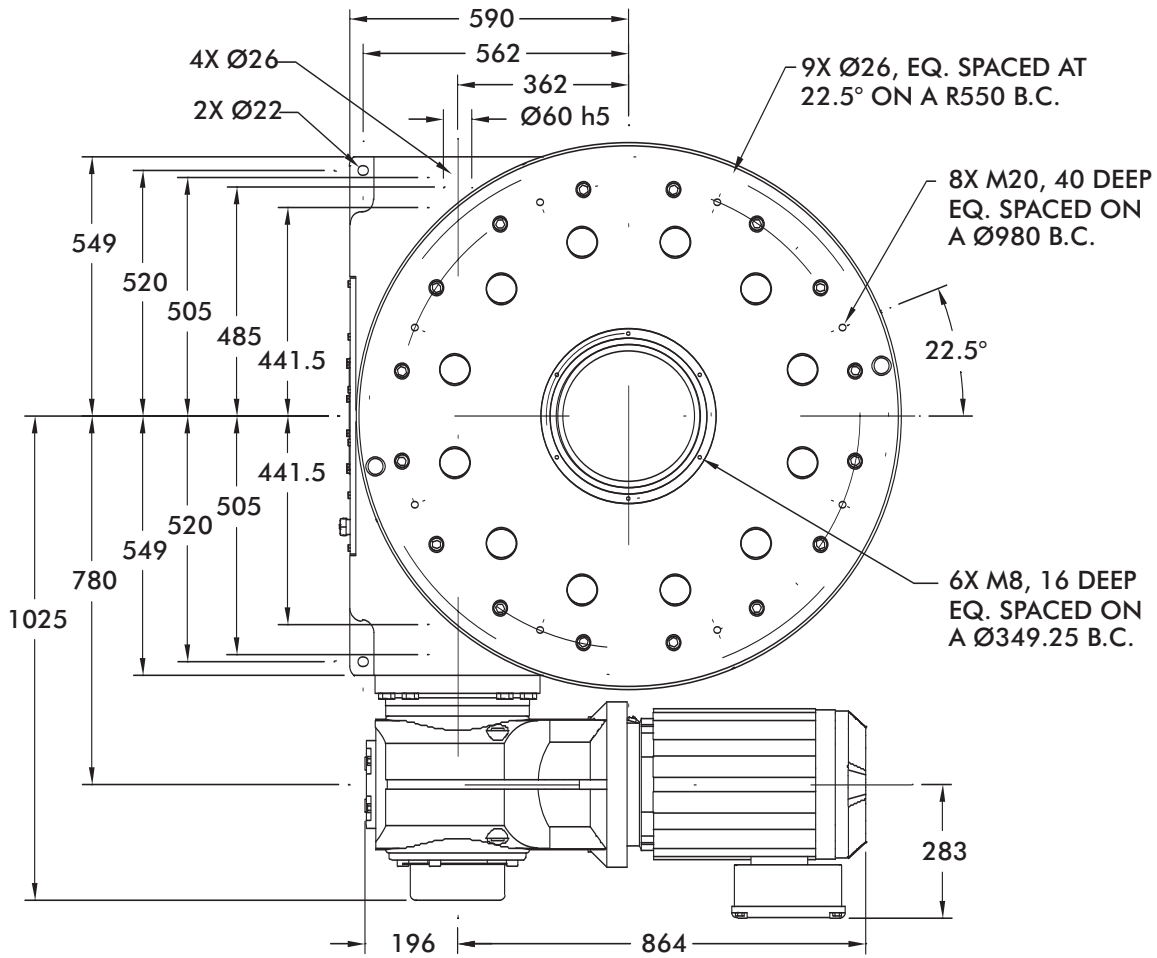
Radial	52,600 lbs
Thrust/Axial	75,850 lbs
Moment	977,500 in-lbs

### Typical Application

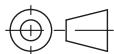
<b>Dial Diameter:</b>	70 in. to 140 in.
<b>Accuracy</b>	±29 arcsec / ±.0023" at 30" Radius
<b>Repeatability</b>	±6 arcsec / ±.0006" at 30" Radius

Dimensions and technical information are subject to change without notice.

1150E Standard Dimemnsions



\*281 OR 300 DEPENDING ON CAM MOTION



Unless otherwise noted, all dimensions are in mm.

Dimensions and technical information are subject to change without notice.





## 1150E Product Overview, Technical Information, Optional Accessories

Maximum Inertia x 1,000 [lb-in <sup>2</sup> ] for standard package							
Stops	Motion Time [seconds]						
	0.89	1.29	1.52	1.75	2.03	2.24	2.52
2	134	1,141	2,093	3,329	4,746	5,835	7,501
3	698	2,965	5,108	7,887	11,077	13,526	17,275
4	1,445	5,474	9,284	14,225	19,896	24,249	30,915
6	3,780	12,845	21,419	32,537	45,296	55,090	70,088
8	6,581	21,959	36,502	54,381	73,624	89,397	113,548
12	15,621	50,221	82,944	123,772	167,569	203,468	258,436
16	27,975	61,083	84,884	111,420	150,846	183,162	232,645
Reducer Ratio							
	29.00	42.33	49.90	57.17	66.52	73.30	82.61

### Features

- KH107 Gear Reducer with Brake-motor
- Double Extended Camshaft (Input shaft)
- Center Thru Hole (278 mm)
- Cycle Cam & limit Switch
- Right Hand Cam

### Optional Accessories

- Left Hand Cam
- Relief in Dwell for Shot-Pin applications
- Dual Cam & limit Switch
- KH127 Gear Reducer with Brake-motor
- Stationary Center Post
- Visual Disk Dwell Indicator

### Output Load Capacity (loads carried during index):

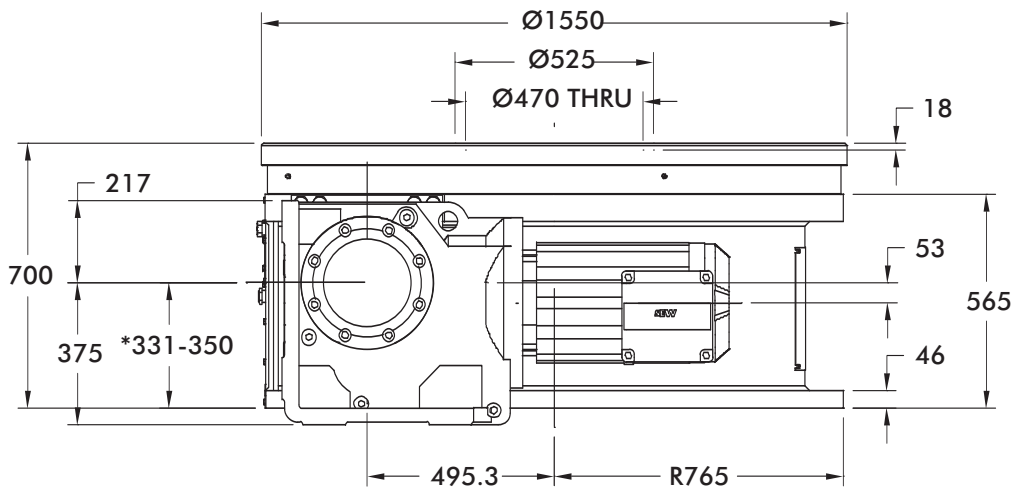
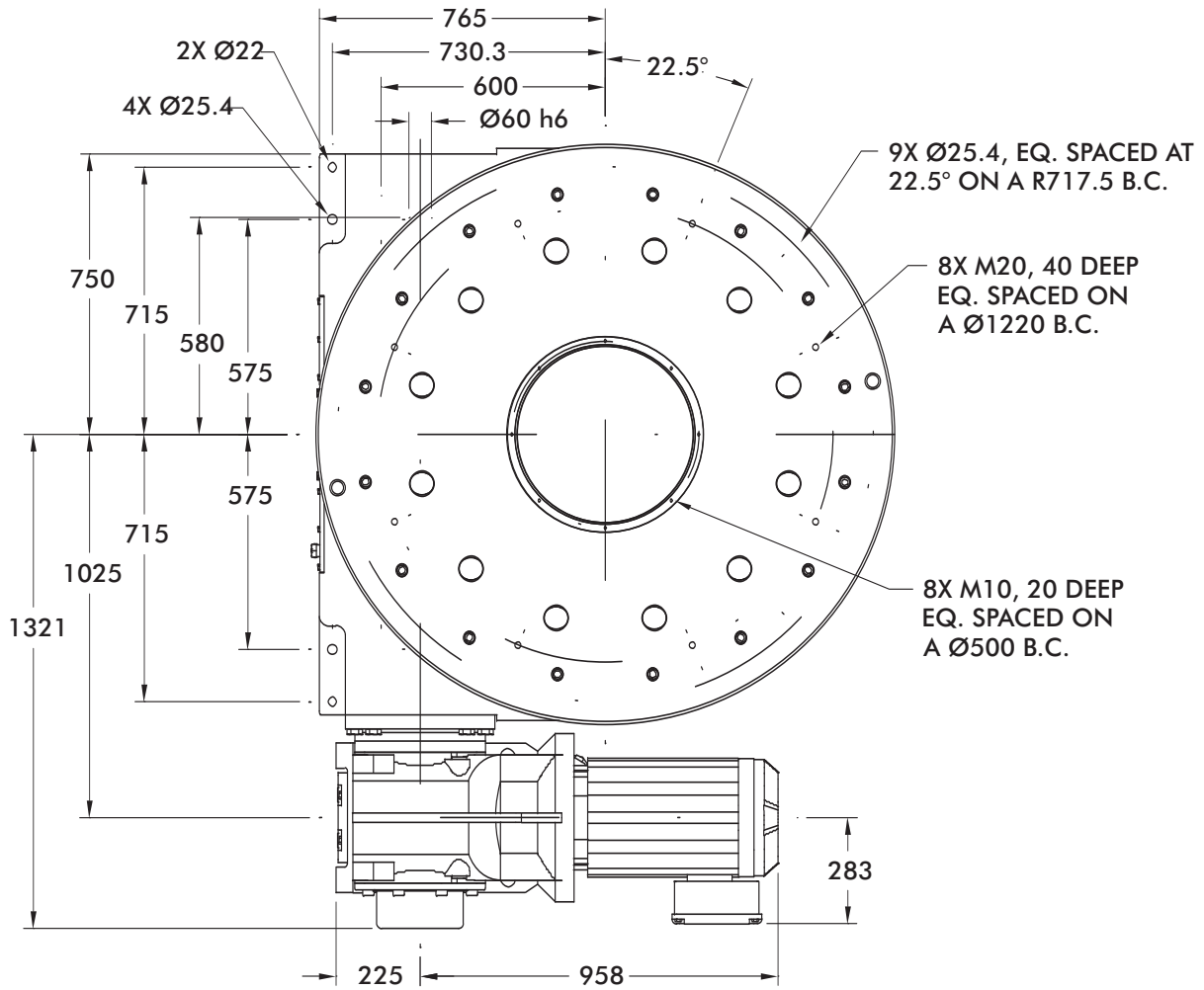
Radial	59,025 lbs
Thrust/Axial	85,470 lbs
Moment	1,469,000 in-lbs

### Typical Application

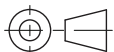
<b>Dial Diameter:</b>	90 in. to 180 in.
<b>Accuracy</b>	±16 arcsec / ±.002" at 25" Radius
<b>Repeatability</b>	±4 arcsec / ±.0005" at 25" Radius

Dimensions and technical information are subject to change without notice.

1550E Standard Dimensions



\*331 OR 350 DEPENDING ON CAM MOTION



Unless otherwise noted, all dimensions are in mm.

Dimensions and technical information are subject to change without notice.



## 1550E Product Overview, Technical Information, Optional Accessories

Maximum Inertia x 1,000 [lb-in <sup>2</sup> ] for standard package							
Stops	Motion Time [seconds]						
	1.23	1.65	2.17	2.50	2.75	3.37	3.74
2	0	1,926	6,208	10,388	13,740	21,944	26,735
3	1,811	6,814	17,561	28,054	36,466	57,057	69,084
4	4,396	13,172	32,028	50,439	65,198	101,324	122,426
6	11,290	30,132	70,615	110,143	141,829	219,391	264,696
8	22,185	57,289	132,712	195,668	235,249	353,436	436,753
12	50,005	125,372	287,302	445,415	572,159	882,406	1,038,461
16	89,910	206,224	355,085	474,071	569,968	856,314	1,038,461
Reducer Ratio							
	40.19	54.07	70.95	81.98	89.89	110.18	122.48

### Features

- KH127 Gear Reducer with Brake-motor
- Double Extended Camshaft (Input shaft)
- Center Thru Hole (470 mm)
- Cycle Cam and Limit Switch
- Right Hand Cam

### Optional Accessories

- Left Hand Cam
- Relief in Dwell for Shot-Pin applications
- Dual Cam & limit Switch
- KH157 Gear Reducer with Brake-motor
- Stationary Center Post
- Visual Disk Dwell Indicator

### Output Load Capacity (loads carried during index):

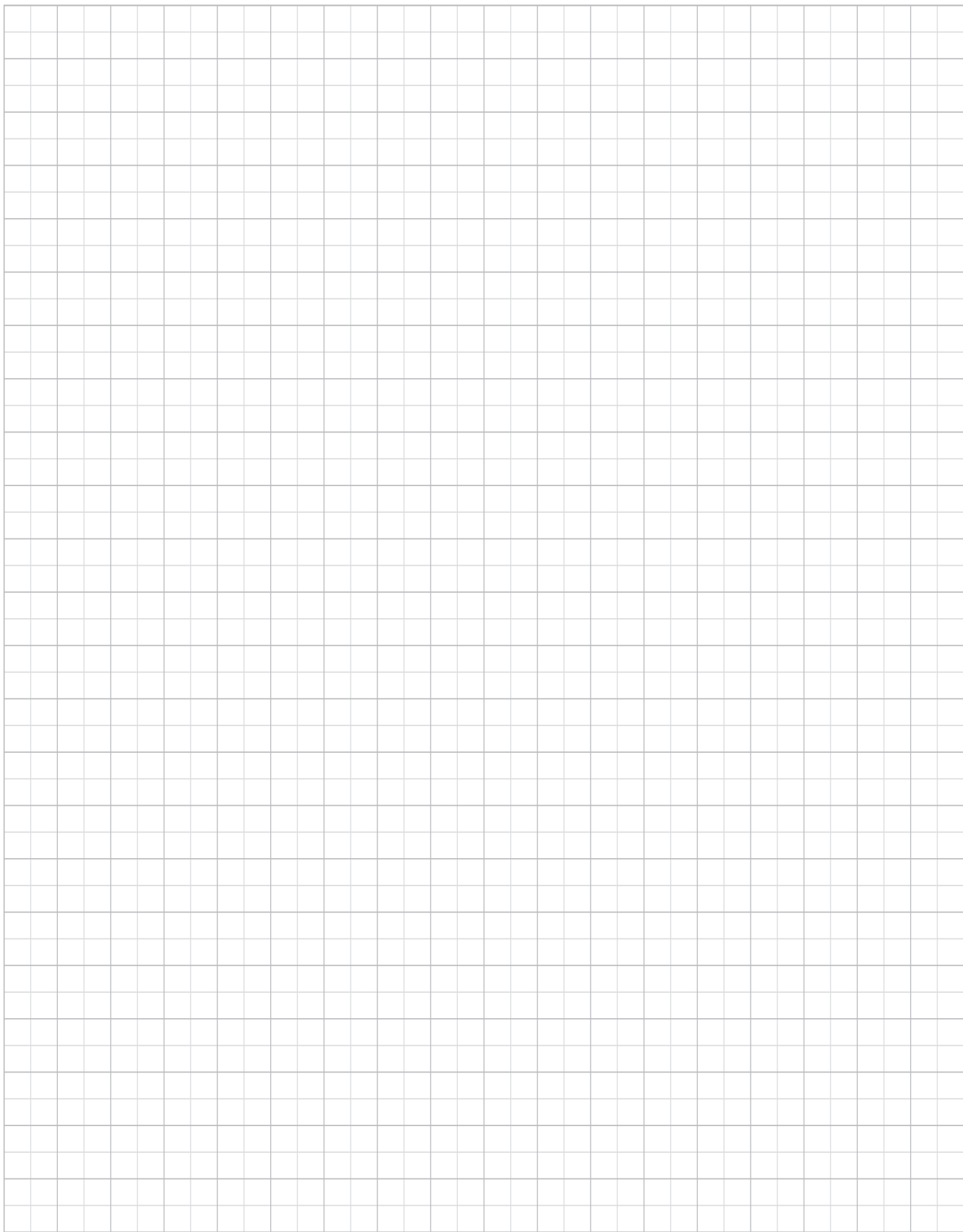
Radial	82,600 lbs
Thrust/Axial	120,000 lbs
Moment	2,904,000 in-lbs

### Typical Application

<b>Dial Diameter:</b>	118 in. to 236 in.
<b>Accuracy</b>	±12 arcsec / ±.0017" at 30" Radius
<b>Repeatability</b>	±3 arcsec / ±.0004" at 30" Radius

Dimensions and technical information are subject to change without notice.

Notes



Dimensions and technical information are subject to change without notice.