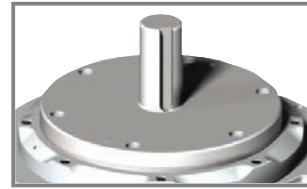


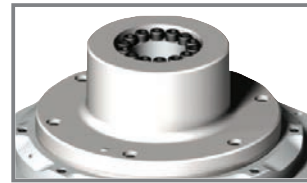
RSD Series Product Overview



Flange output



Shaft output



Internal shrink disk output



Shrink disk output

### Smarter Indexing

The **CAMCO RSD Rotary Servo Drive** is a zero-backlash, cam-actuated drive compatible with industry-standard servo motors for precise control, efficiency and flexibility.

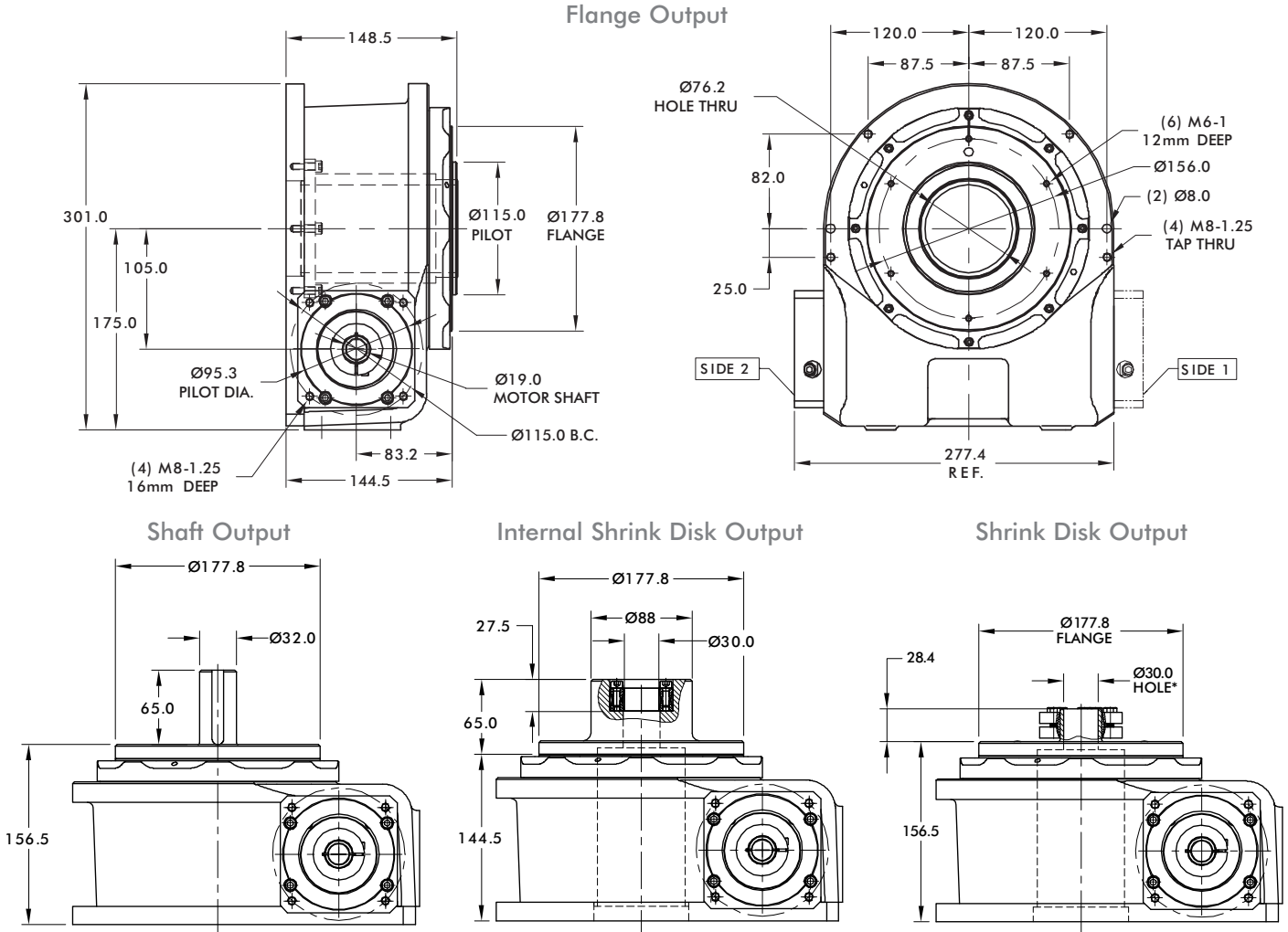
- Universal mounting
- Maintenance-free operation
- Large output bearing for greater overturning moment capacity
- Large thru-hole for accessory lines (electric, pneumatic, etc.)
- IP-65 rating
- Class 100 rated with Med-Redi preparation

### Features

- Designed to accept a variety of servo motors
- Preloaded system
  - Zero backlash
  - High accuracy
  - Smooth motion
  - Quiet operation
  - High speed
- Indexing flexibility
  - Run different parts on the same indexer
  - Variable indexing: reversing, sorting, vary distance with each index
- 4:1 to 18:1 ratios in a single stage

Dimensions and technical information are subject to change without notice.

Model 115RSD Standard Dimensions



\* Also available with 40mm bore.

Model 115RSD Technical Information

Specifications	Units	Standard Ratios		Other Available Ratios						
Single Reduction Ratio	-	8:1	16:1	4:1	5:1	6:1	9:1	12:1	15:1	18:1
Maximum Torque Capacity	in-lbs	3540	3755	2950	3195	3355	3595	3695	3740	3770
Maximum Inertia on Output Dial	lb-in <sup>2</sup>	19,463	77,853	4,866	7,603	10,948	24,633	43,792	68,425	98,533
Unit Output Inertia Reflected at Input Shaft	lb-in <sup>2</sup>	5.29	3.93	11.30	8.75	6.65	4.81	5.14	4.05	3.71
Stiffness	in-lbs/arcmin	169	179	141	153	160	172	177	179	180
Input Torque of Unit Only	in-lb	20		20						
Maximum Axial Load	Lbs	2,270		2,270						
Maximum Radial Load	Lbs	910		910						
Maximum Offset Load (Overturning Moment)	in-lb	3180		3,180						
Output Face Flatness	in. TIR	0.002		0.002						
Axial Run-Out	inches	0.0015		0.0015						
Accuracy	arc seconds	±30		±30						
Repeatability	arc seconds	±7		±7						
Torsional Backlash	arc seconds	0		0						
Operating Temperature Range	°F	40 Minimum		140 Maximum						

Dimensions and technical information are subject to change without notice.



Notes

A large, empty grid of small squares, intended for taking notes or drawing diagrams.

Dimensions and technical information are subject to change without notice.